

ONKYO SERVICE MANUAL

SPEAKER SYSTEM MODEL SKS-HT150 SKW-150 / SKF-150F / SKC-150C / SKM-150M



Black models

DD	120V AC, 60Hz
----	---------------

SAFETY-RELATED COMPONENT WARNING!!

COMPONENTS IDENTIFIED BY MARK \triangle ON THE SCHEMATIC DIAGRAM AND IN THE PARTS LIST ARE CRITICAL FOR RISK OF FIRE AND ELECTRIC SHOCK. REPLACE THESE COMPONENTS WITH ONKYO PARTS WHOSE PART NUMBERS APPEAR AS SHOWN IN THIS MANUAL.

MAKE LEAKAGE-CURRENT OR RESISTANCE MEASUREMENTS TO DETERMINE THAT EXPOSED PARTS ARE ACCEPTABLY INSULATED FROM THE SUPPLY CIRCUIT BEFORE RETURNING THE APPLIANCE TO THE CUSTOMER.

SPECIFICATION

Type	Bass-reflex with built-in power amplifier
Frequency response	30 Hz-150 Hz
Output power	150 W Dynamic
Input sensitivity	220 mV
Input impedance	15 k Ω
Woofers	8-inch cone type
Power supply	AC 120 V, 60 Hz
Power consumption	75 W
Dimensions (W×H×D)	9-1/4" × 20-3/8" × 16-3/16" / 235 × 518 × 411 mm
Weight	27.8 lbs. / 12.6 kg

Specifications and appearance may subject to change for improvement without prior notice.

Model	SKF-150F
Type	2 way Bass-reflex front speaker
Impedance	8 Ω
Maximum input power	100 W
Output sound pressure level	83 dB/W/m
Frequency response	55 Hz-35,000 Hz
Woofers	5-1/4-inch cone type
Tweeter	1-inch balanced dome type
Dimensions (W×H×D)	6-3/16" × 15-1/4" × 9-1/16" / 157 × 387 × 230 mm
Weight	7.5 lbs. / 3.4 kg
Others	Magnetic shielding

Model	SKC-150C
Type	2 way Bass-reflex center speaker
Impedance	8 Ω
Maximum input power	100 W
Output sound pressure level	85 dB/W/m
Frequency response	65 Hz-35,000 Hz
Woofers	4-inch cone type × 2
Tweeter	1-inch balanced dome type
Dimensions (W×H×D)	15-1/4" × 6-3/16" × 7-13/16" / 387 × 157 × 199 mm
Weight	7.7 lbs. / 3.5 kg
Others	Magnetic shielding

Model	SKM-150S
Type	2 way Bass-reflex surround speaker
Impedance	8 Ω
Maximum input power	100 W
Output sound pressure level	82 dB/W/m
Frequency response	65 Hz-35,000 Hz
Woofers	4-inch cone type
Tweeter	1-inch balanced dome type
Dimensions (W×H×D)	6-15/16" × 9-1/4" × 4-15/16" / 175 × 235 × 125 mm
Weight	3.5 lbs. / 1.6 kg

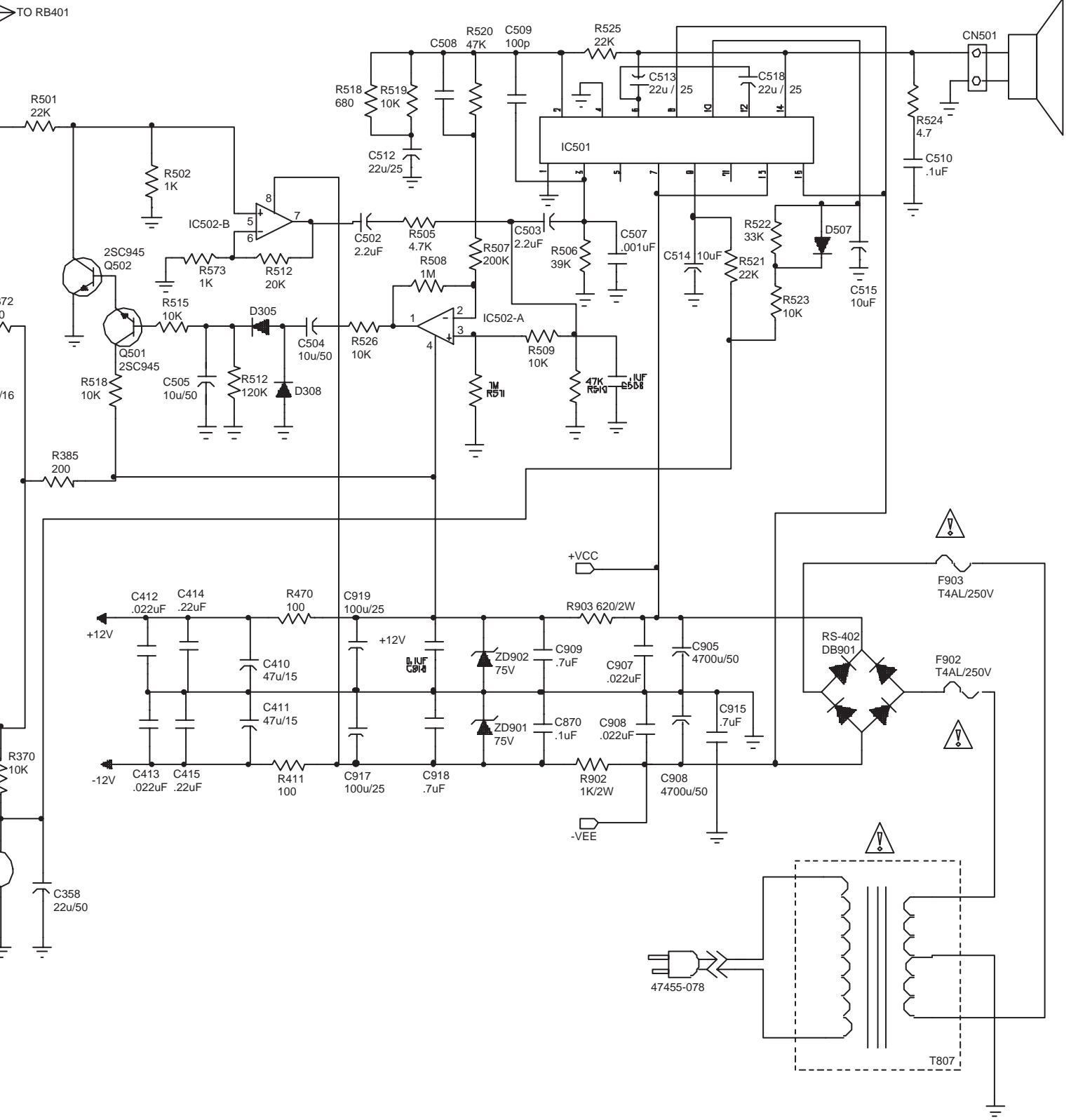
Specifications and appearance may subject to change for improvement without prior notice.

E

F

G

H



A

B

C

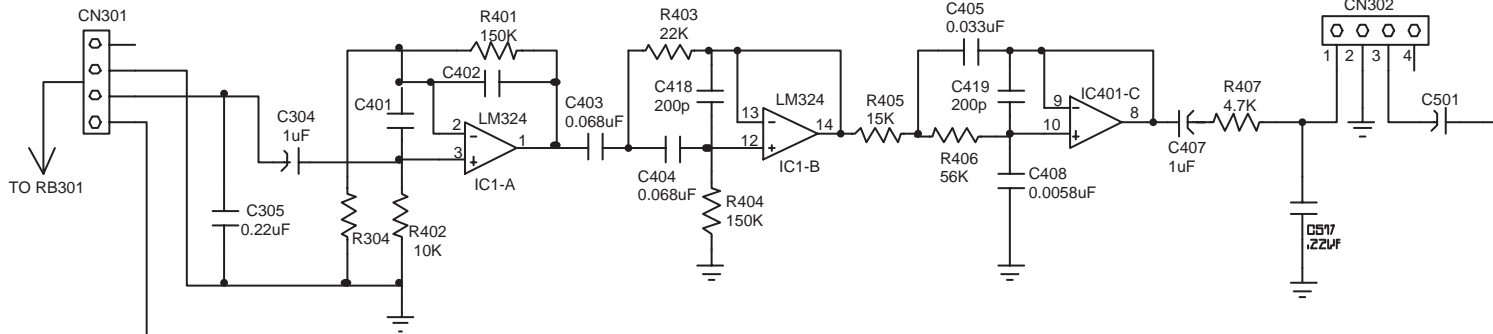
D

SCHEMATIC DIAGRAM

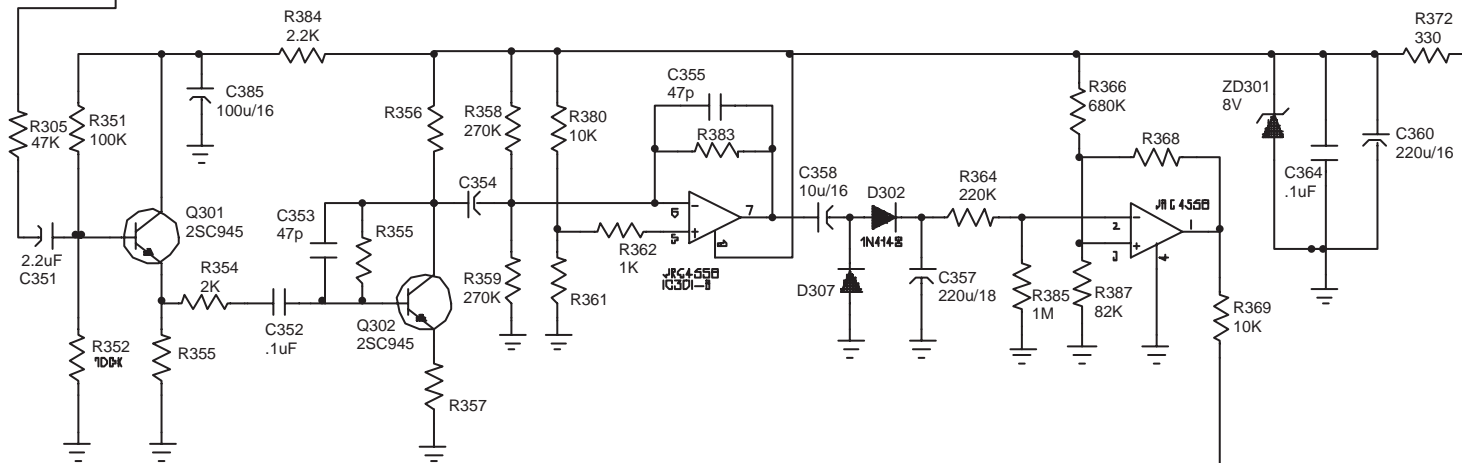
U1

MAIN PC BOARD
(LVM0199C011)

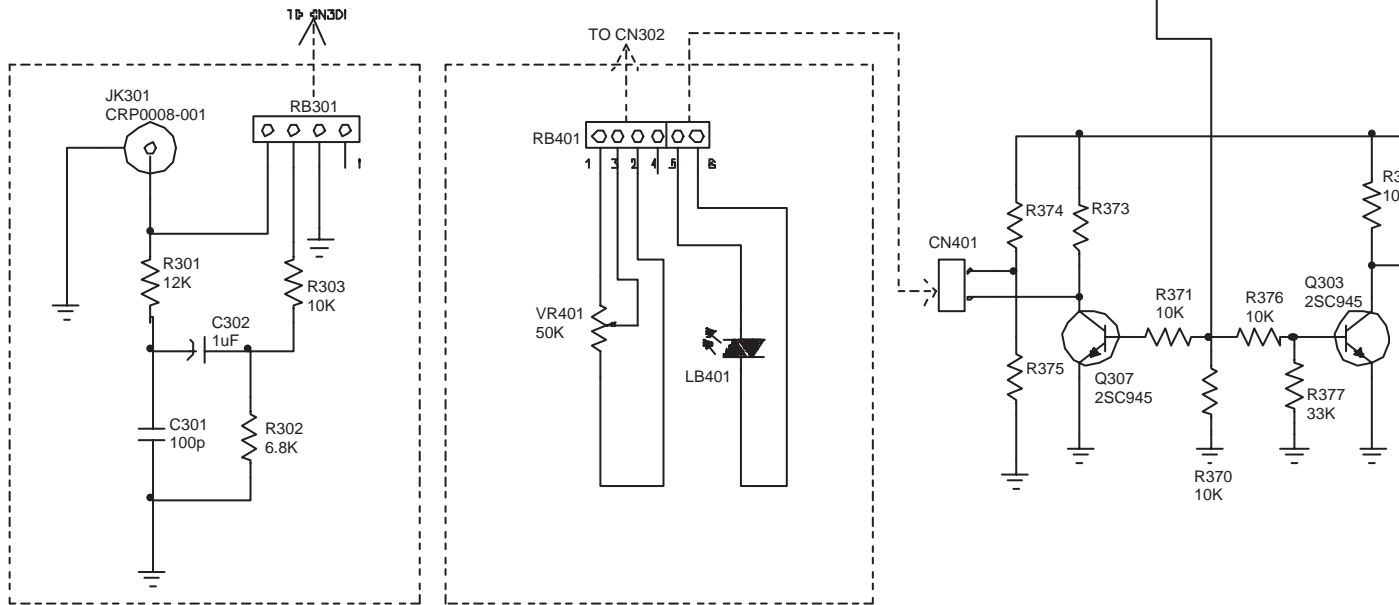
1



2



3



4

5

U3

JACK PC BOARD
(LVM0199C21)

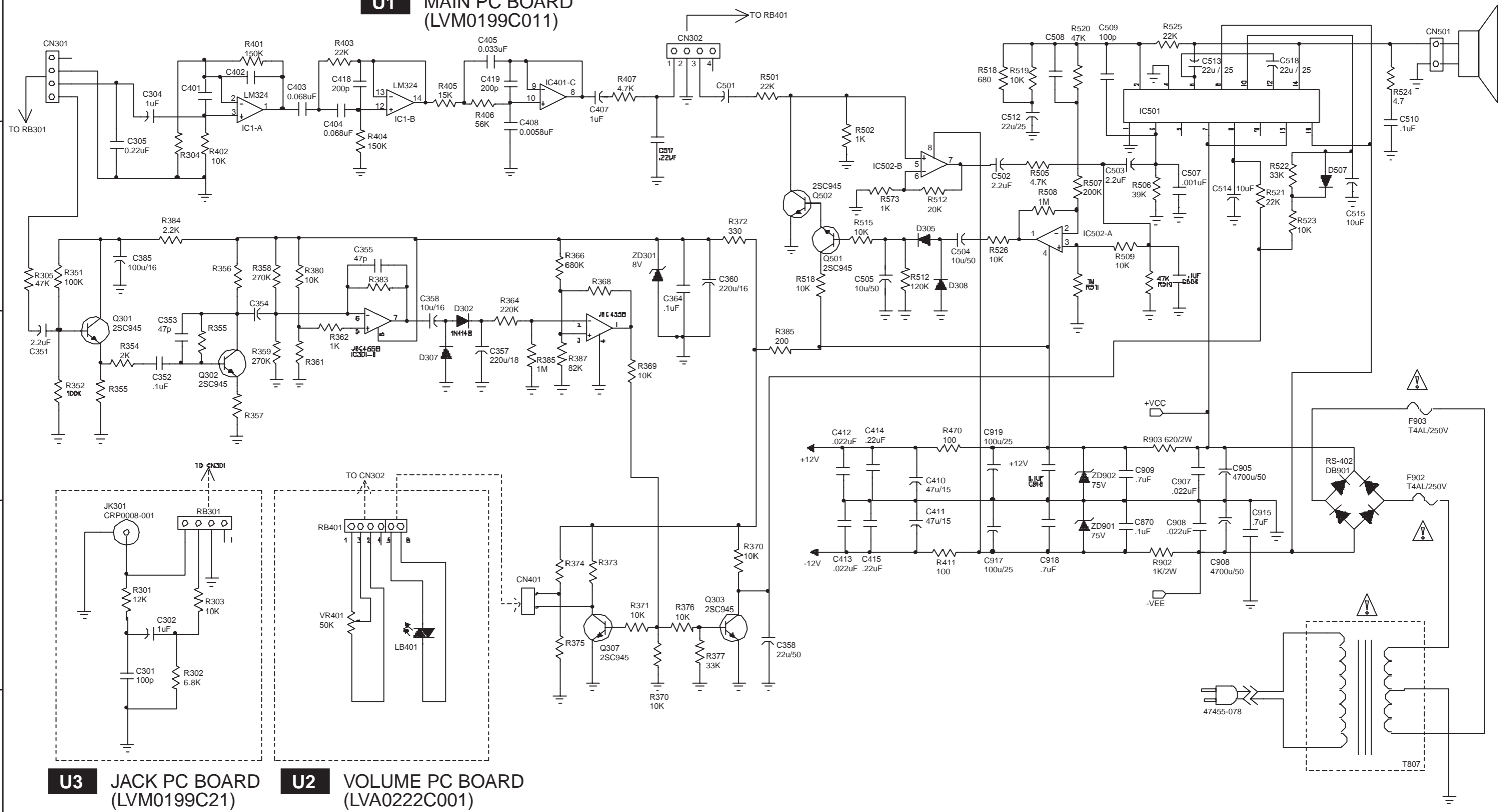
U2

VOLUME PC BOARD
(LVA0222C001)

SCHEMATIC DIAGRAM

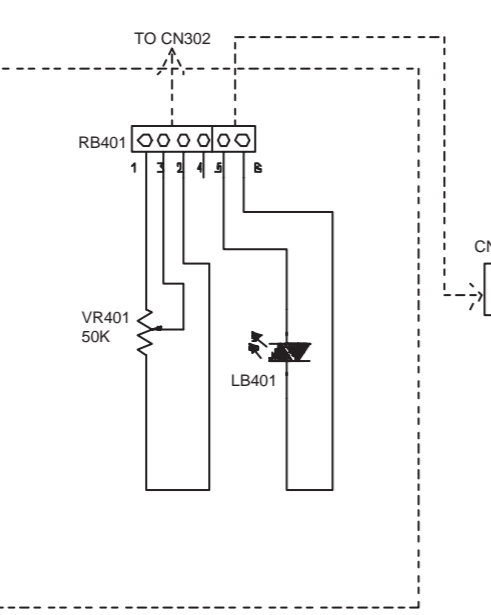
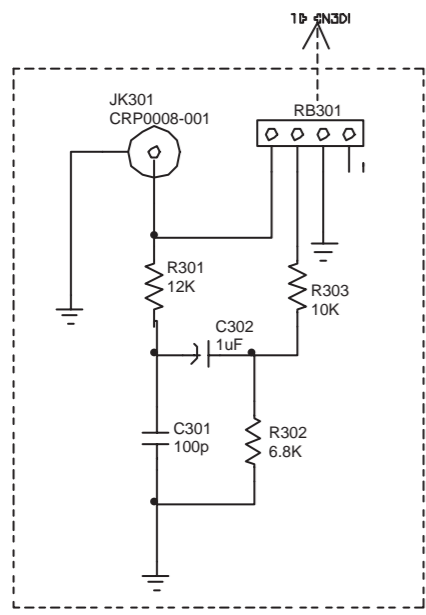
U1 MAIN PC BOARD (LVM0199C011)

1
2
3
4
5



U3 JACK PC BOARD (LVM0199C21)

U2 VOLUME PC BOARD (LVA0222C001)



A

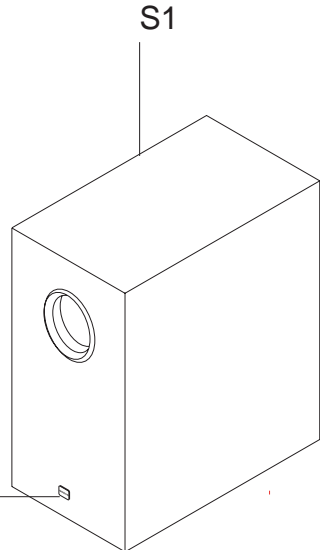
B

C

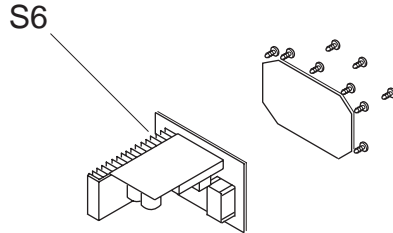
D

EXPLODED VIEW
SKW-150

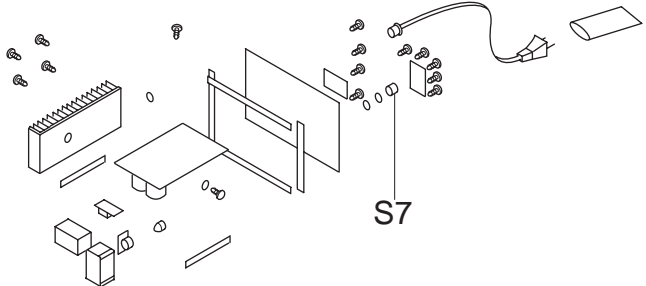
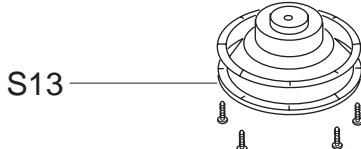
1



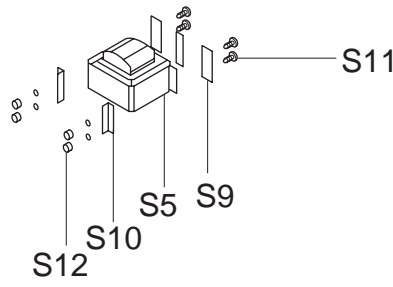
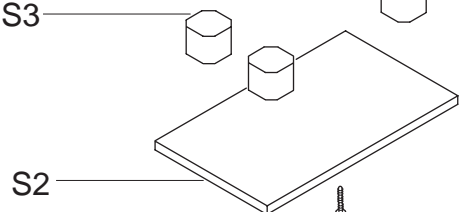
2



3

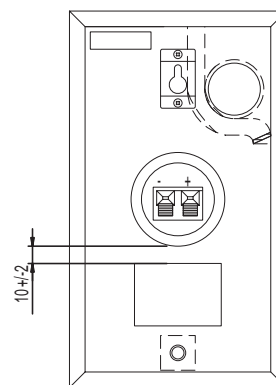
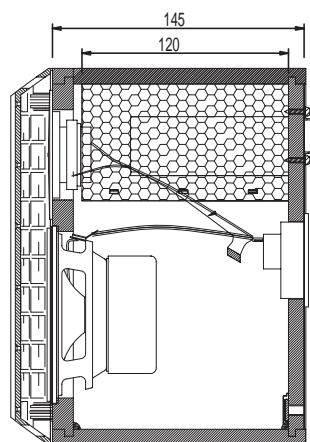
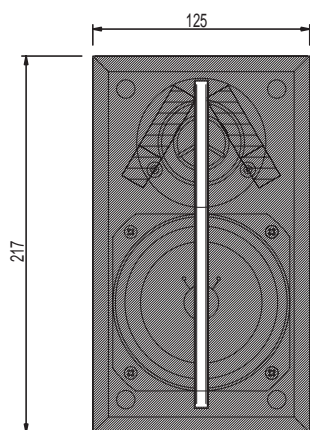
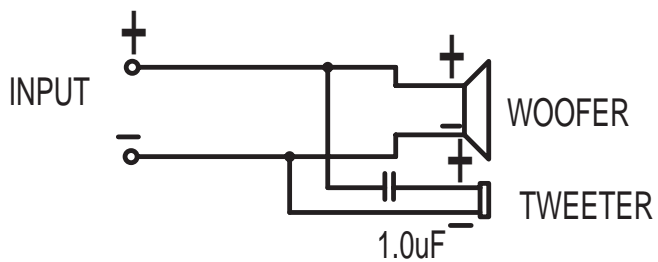
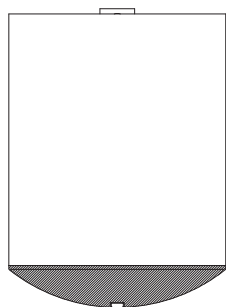


4

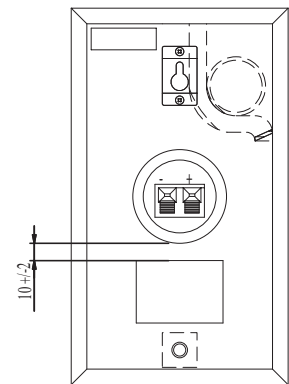
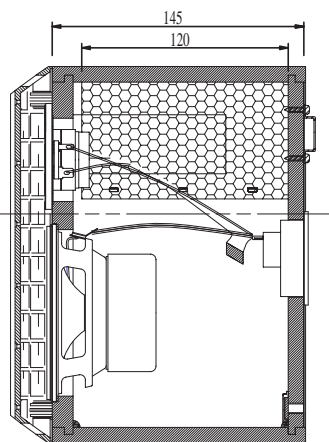
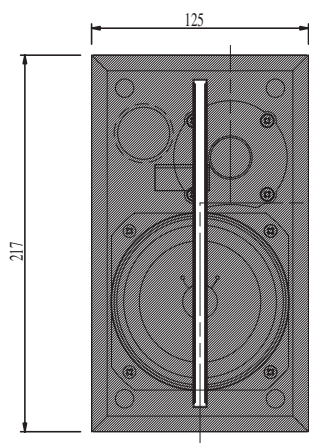
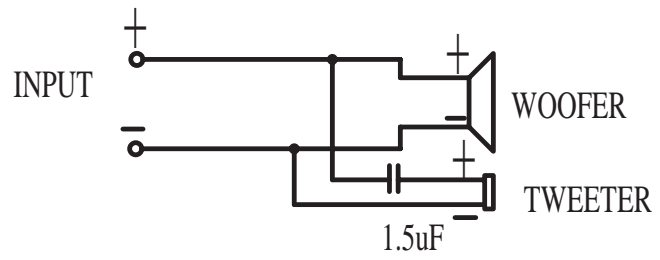
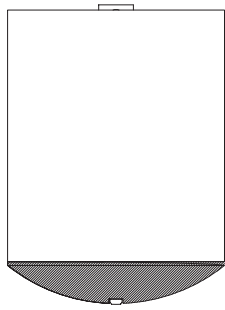


5

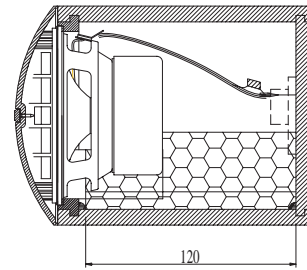
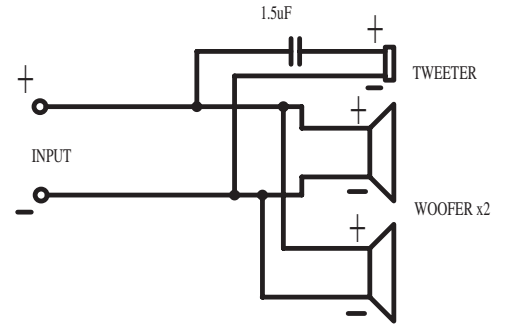
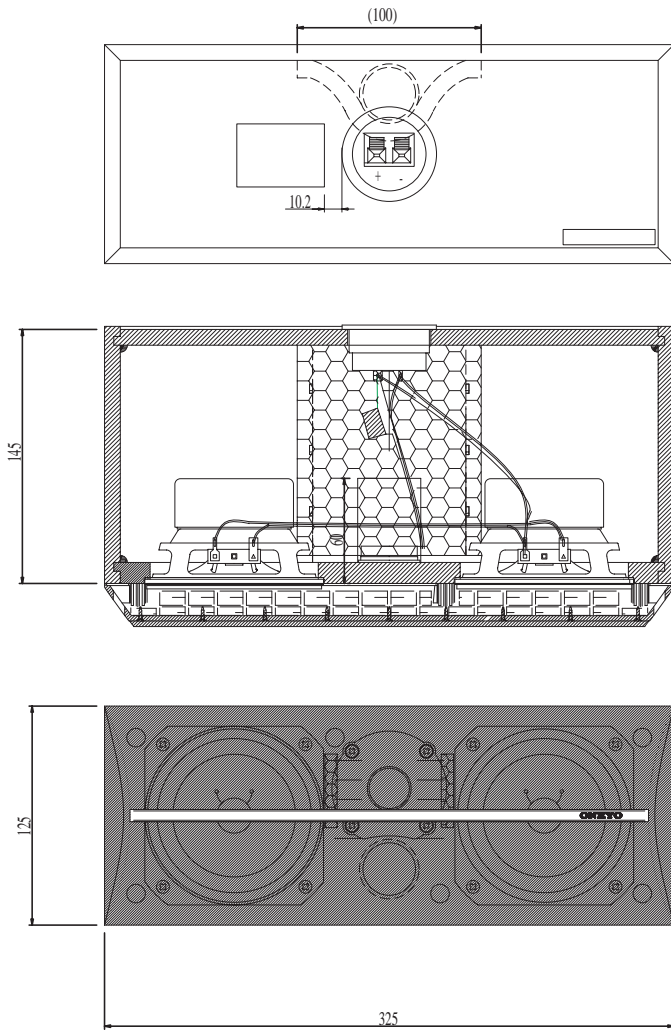
CONSTITUTION VIEW



CONSTITUTION VIEW



CONSTITUTION VIEW



SKS-HT150 Parts list

Ref. No.	Description	Specification		Part No.	Color	
					B	S
Packing view						
P1	Speaker cord	AWG #22 L=4.5m	White / Brack	VWS330122-4500	○	○
P2	Speaker cord	AWG #22 L=4.5m	Red / Brack	VWS331022-4500	○	○
P3	Speaker cord	AWG #22 L=3.0m	Green / Brack	VWS330922-3000	○	○
P4	Speaker cord	AWG #22 L=9.0m	Blue / Brack	VWS330522-9000	○	○
P5	Speaker cord	AWG #22 L=9.0m	Grey / Brack	VWS330722-9000	○	○
P6	Pin cable	3m MONO Black		VCR000001-0042	○	○
P10	Polyfoam	Top		ITF8302780001	○	○
P11	Polyfoam	Center		ITF8302790001	○	○
P12	Polyfoam	Bottom		ITF8302800001	○	○
P13	Carton		HT-R660(B)	ICC802096-BM10	○	-
			HT-R660(S)	ICC802105-BM10	-	○
P14	POLYFOAM BLOCK A	17x513x256mm		ICF830000-0253	○	○
P15	POLYFOAM BLOCK B	43x525x256mm		ICF830000-0252	○	○
	H.M. BAG	POLY BAG L1000xW720xT0.025	SKW-150	IVA8032010133	○	○
	H.M. BAG	POLY BAG L660xW435xT0.025	SKF-150F	IVA8032010088	○	○
	H.M. BAG	POLY BAG L640xW380xT0.025	SKC-150C	IVA8032010050	○	○
	H.M. BAG	POLY BAG L410xW350xT0.025	SKM-150S	IVA8032010046	○	○
Satellite speaker						
	Bacl label	L	SKF-150FL	YLB810002FL20	○	○
	Bacl label	R	SKF-150FR	YLB810002FR20	○	○
	Bacl label	C	SKC-150C	YLB810002C020	○	○
	Bacl label	L	SKM-150SL	YLB810002SL20	○	○
	Bacl label	R	SKM-150SR	YLB810002SR20	○	○
	METAL CRAMP	HANGER PLATE	SKM-150S	DCA5000020001	○	○
Sub woofer						
S1	CABINET AS	with DUCT and ACOUSTIC FELT		ANK802S96-BM20	○	-
				ANK802S96-BM10	-	○
S2	STAND BOARD			EVT81003515W2	○	○
S3	PLASTIC FOOT			BPE8000040001	○	○
S4	Logo Bagde	FRONT PLATE		BPL8001240001	○	○
S5	PWR TRANS			TT11120010120	○	○
S6	AMPLIFIER	with LED CORD ASSY and AC CORD		ABNSKW150-CV01	○	○
S7	KNOB	Include in AMPLIFIER		-	○	○
S8	SCREW	4x75 for PLASTIC FOOT		NST8550514750	○	○
S9	RUBBER PAD	for PWR TRANS		ICH0800270001	○	○
S10	L-BRACKET	for PWR TRANS		GSE0001100003	○	○
S11	SCREW	4x25 for PWR TRANS		HSD0431033250	○	○
S12	NUT	M4 for PWR TRANS		HNT8116801300	○	○
S13	WOOFER UNIT			FSB82AC800401	○	○

A

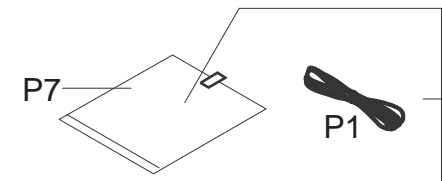
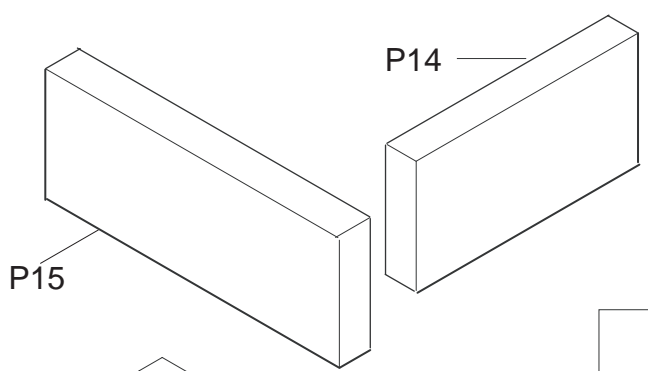
B

C

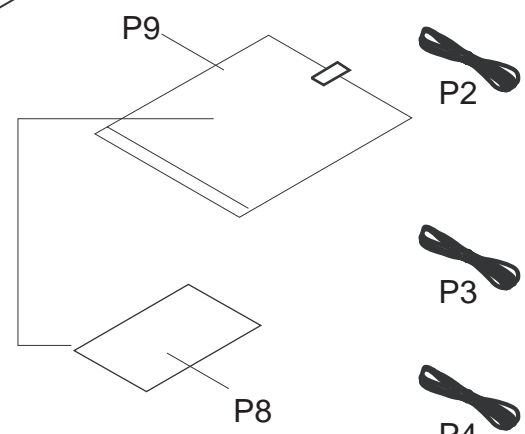
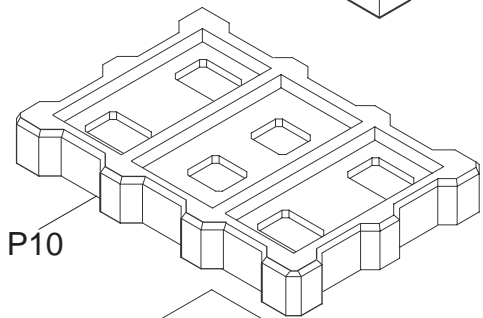
D

PACKING VIEW

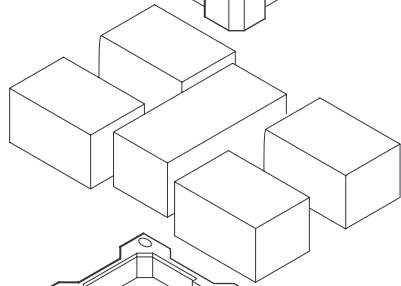
1



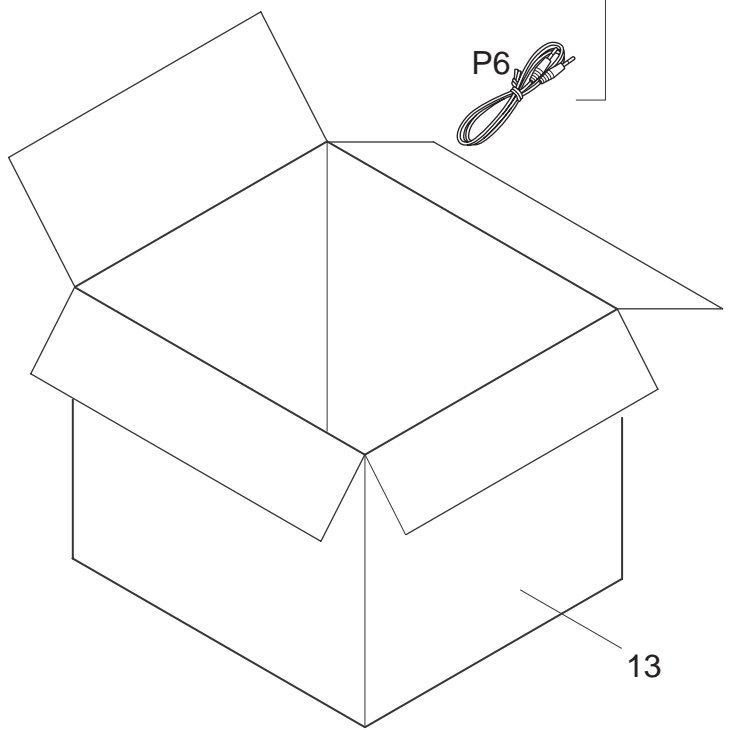
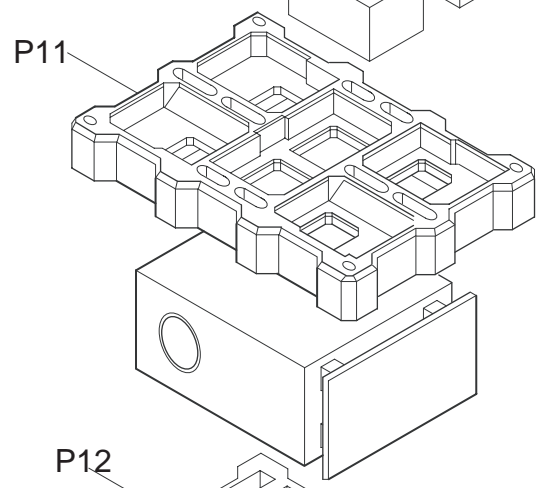
2



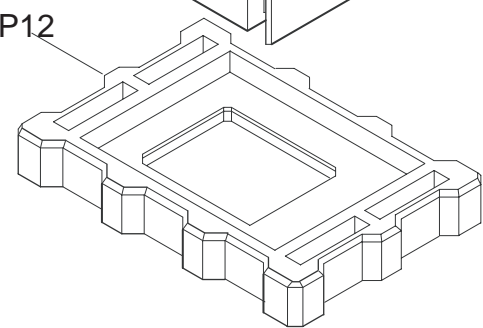
3



4



5



ONKYO CORPORATION

Sales & Product Planning Div. : 2-1, Nisshin-cho, Neyagawa-shi, OSAKA 572-8540, JAPAN
Tel: 072-831-8111 Fax: 072-833-5222

ONKYO U.S.A. CORPORATION

18 Park Way, Upper Saddle River, N.J. 07458, U.S.A.
Tel: 201-785-2600 Fax: 201-785-2650 E-mail: onkyo@onkyousa.com